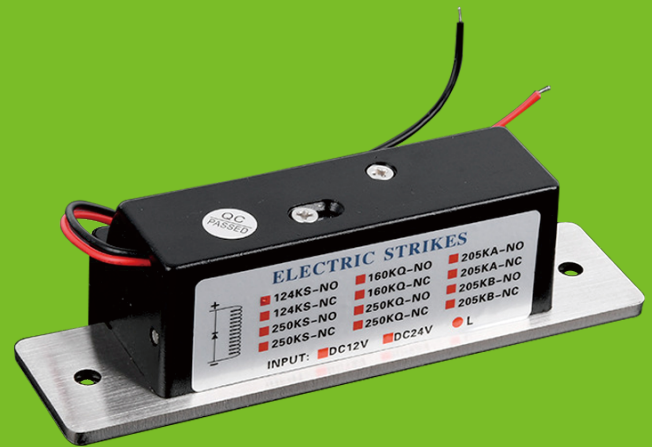


ANSI standard Heavy Duty Electric Strike lock



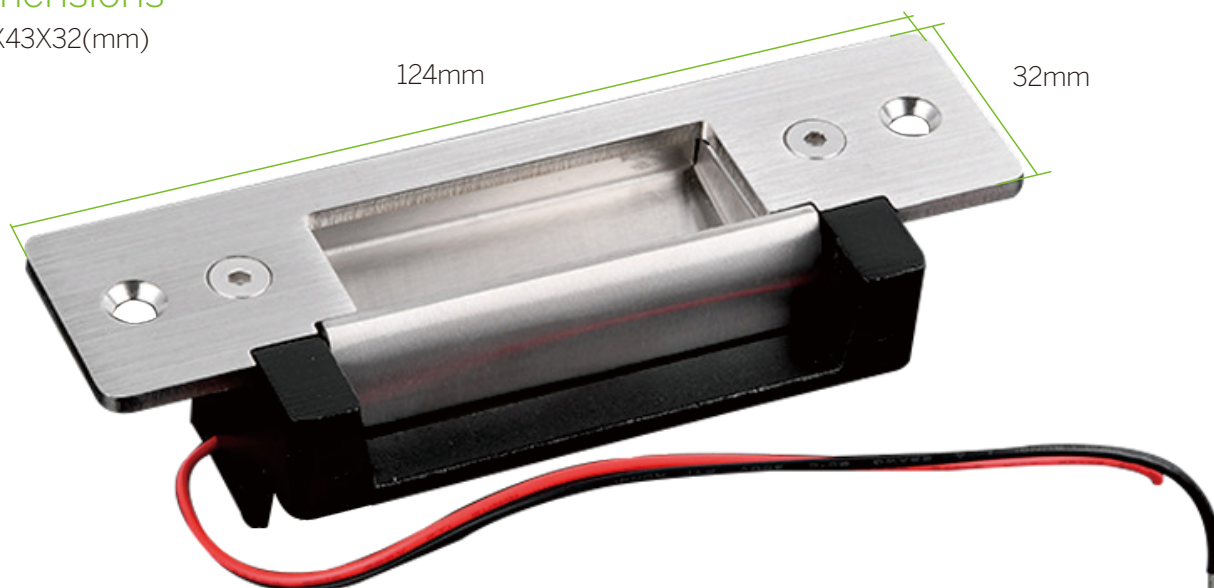
ES-120A/120B

Specifications

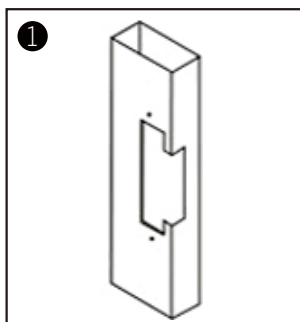
Input voltage	DC12V (24V customized)
Working current	240mA
Withstand thrust	400KG
Product material	stainless steel + zinc alloy
Product size	124X43X32mm
Signal feedback	normally open normally closed signal (optional)
Opening direction	regardless of direction
Door opening method	90° door opening
Applicable environment	-10~+55°C (14~131F)
Scope of application	all occasions used with mechanical lock tongue
Specifications	Standard/Signal
Product weight	0.4KG

Dimensions

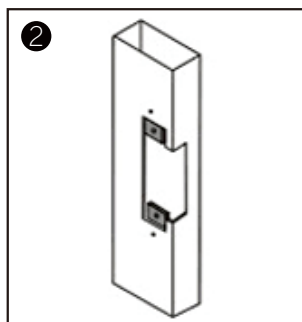
124X43X32(mm)



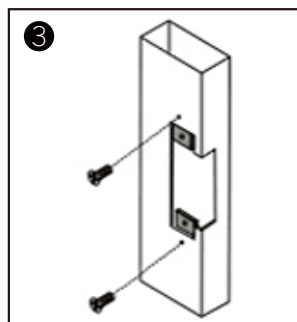
Installation



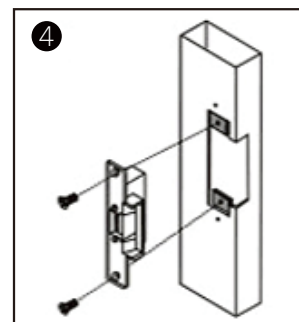
1 Cutting according to the size of the electric lock



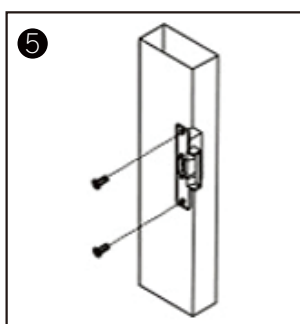
2 Insert extension plate



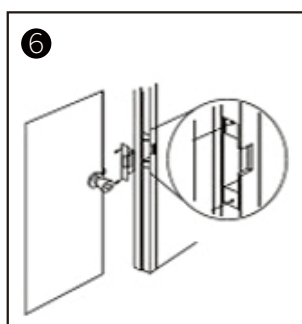
3 Fix extension plate



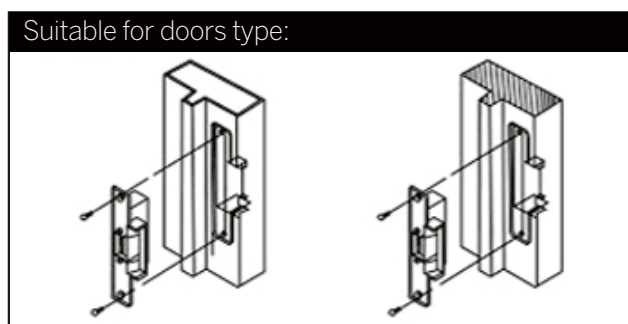
4 After installed, power on and test it



5 Fix strike lock



6 Finish



Suitable for doors type:

Metal door frame

Wooden door frame



S4A Industrial Co., Limited

Address: 6th Floor, Haotai Industrial Zone, Minzhi road, Longhua District, Shenzhen. CN 518131

Tel: +86 755 29450011

www.s4a-access.com